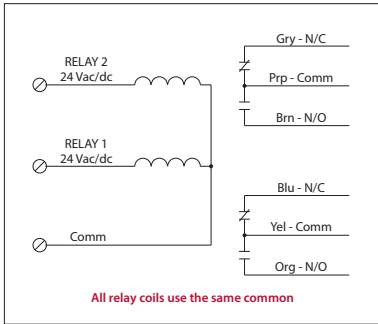


**20 AMP POWER CONTROL RELAYS**

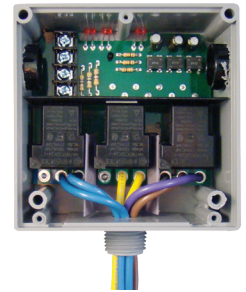
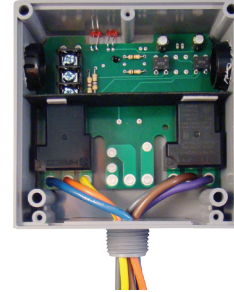
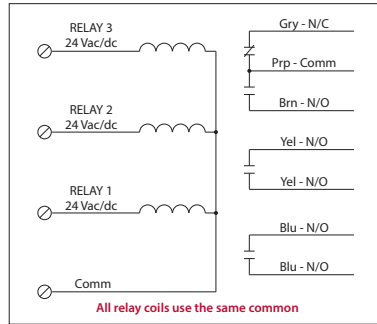
**RIBT242B**

Enclosed Relays Hi/Low Separation 20 Amp  
2 SPDT with 24 Vac/dc Coil



**RIBT243B**

Enclosed Relays Hi/Low Separation 20 Amp  
2 SPST + 1 SPDT with 24 Vac/dc Coil



RELAYS

**SPECIFICATIONS**

**# Relays & Contact Type:** Two (2) SPDT Continuous Duty Coil (RIBT242B)  
Two (2) SPST + One (1) SPDT Continuous Duty Coil (RIBT243B)

**Expected Relay Life:** 10 million cycles minimum mechanical

**Operating Temperature:** -30 to 140° F

**Humidity Range:** 5 to 95% (noncondensing)

**Operate Time:** 18ms

**Relay Status:** LED On = Activated

**Dimensions:** 4.00" x 4.00" x 1.80" with .50" NPT Nipple

**Wires:** 16", 600V Rated

**Approvals:** UL Listed, UL916, UL864, C-UL  
California State Fire Marshal

**Housing Rating:** UL Accepted for Use in Plenum, NEMA 1

**Gold Flash:** No

**Override Switch:** No

**Contact Ratings:**

20 Amp Resistive @ 277 Vac

5 Amp Resistive @ 480 Vac

20 Amp Ballast @ 277 Vac

16 Amp Electronic Ballast @ 277 Vac (N/O)

10 Amp Tungsten @ 120 Vac (N/O)

770 VA Pilot Duty @ 120 Vac

1,110 VA Pilot Duty @ 277 Vac

2 HP @ 277 Vac

1 HP @ 120 Vac

**Coil Current:**

50 mA @ 18 Vac

83 mA @ 24 Vac

33 mA @ 22 Vdc

35 mA @ 24 Vdc

47 mA @ 30 Vdc

**Coil Voltage Input:**

24 Vac/dc; 50-60 Hz

Drop Out = 2.1 Vac / 3.8 Vdc

Pull In = 18 Vac / 22 Vdc

**Notes:**

• RIBT243B not rated for UL864.